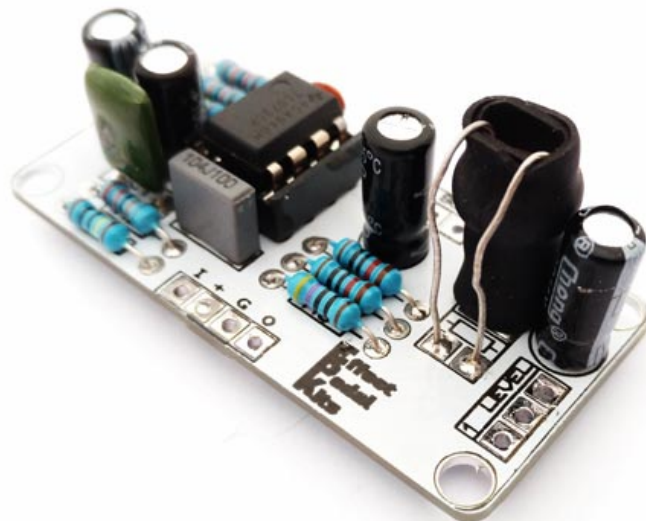










Simple Compressor Kit Building Manual



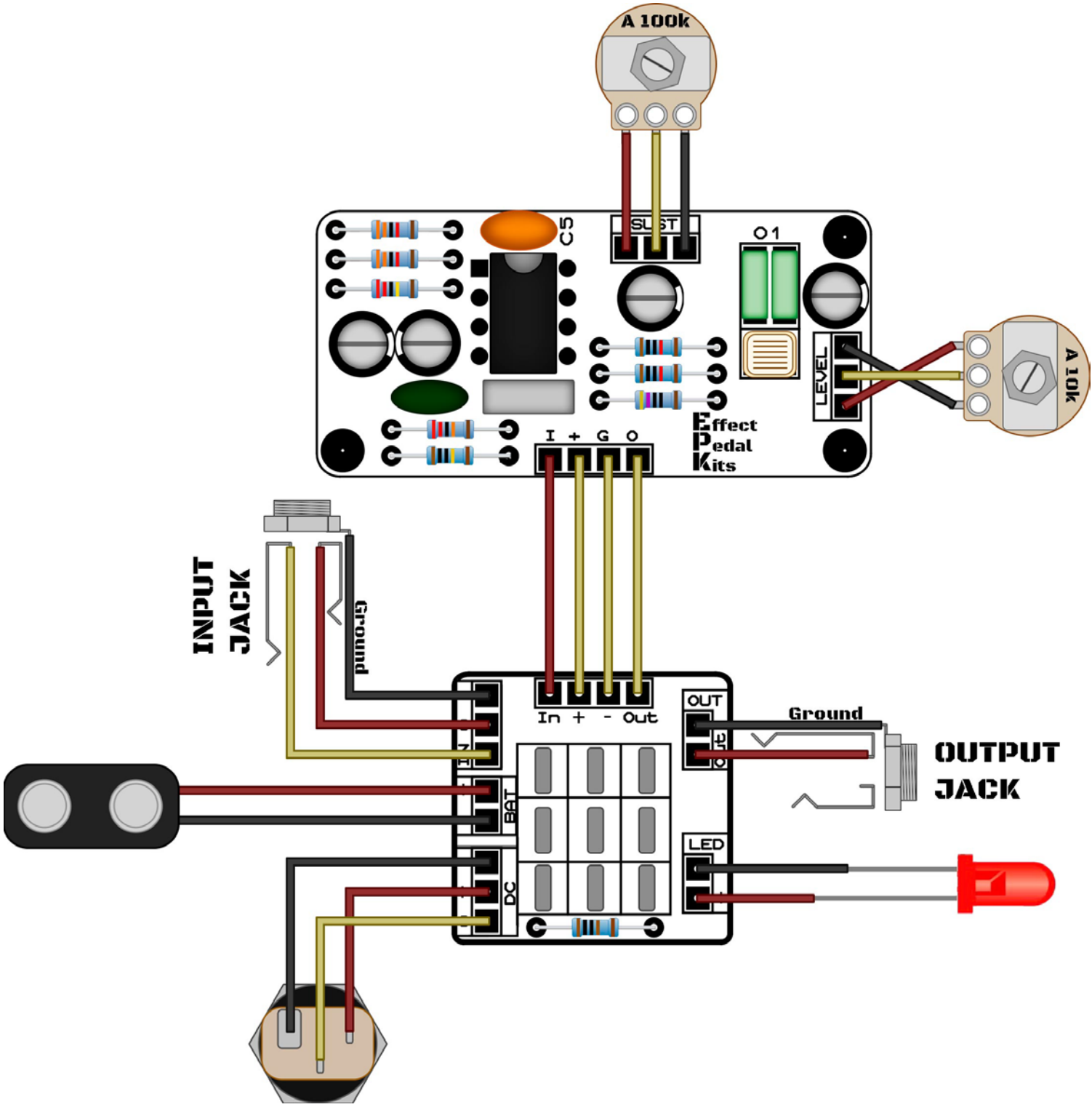
BOM (1/2)

Resistors (8)				Capacitors (7)		
1	R1	1M		1	C1	15n
1	R2	220k		1	C2	47u (electrolytic)
2	R3, R4	33k		1	C3	2.2u (electrolytic)
1	R5	2.2M		1	C4	10u (electrolytic)
2	R6, R7	10k		1	C5	22p (ceramic)
1	R8	470		1	C6	100n
				1	C7	1u (electrolytic)

BOM (2/2)

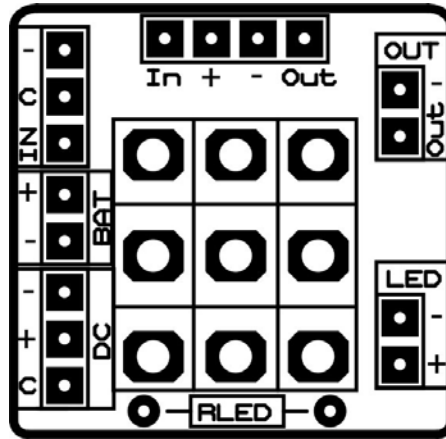
Diodes, Transistors and ICs			Generic Parts and Potentiometers		
1	U1	TL072	1	Battery clip	
1	O1	LDR + 2xGreen Led Optocoupler	1	DC Jack	
			1	RLED	1k LED resistor
			1	LED Bezel	
			1	3PDT	
			2	IN, OUT	6.35mm Jacks
			1	100k Logarithmic (A) Potentiometer	Sust
			1	10k Logarithmic (A) Potentiometer	Level

Component Placement

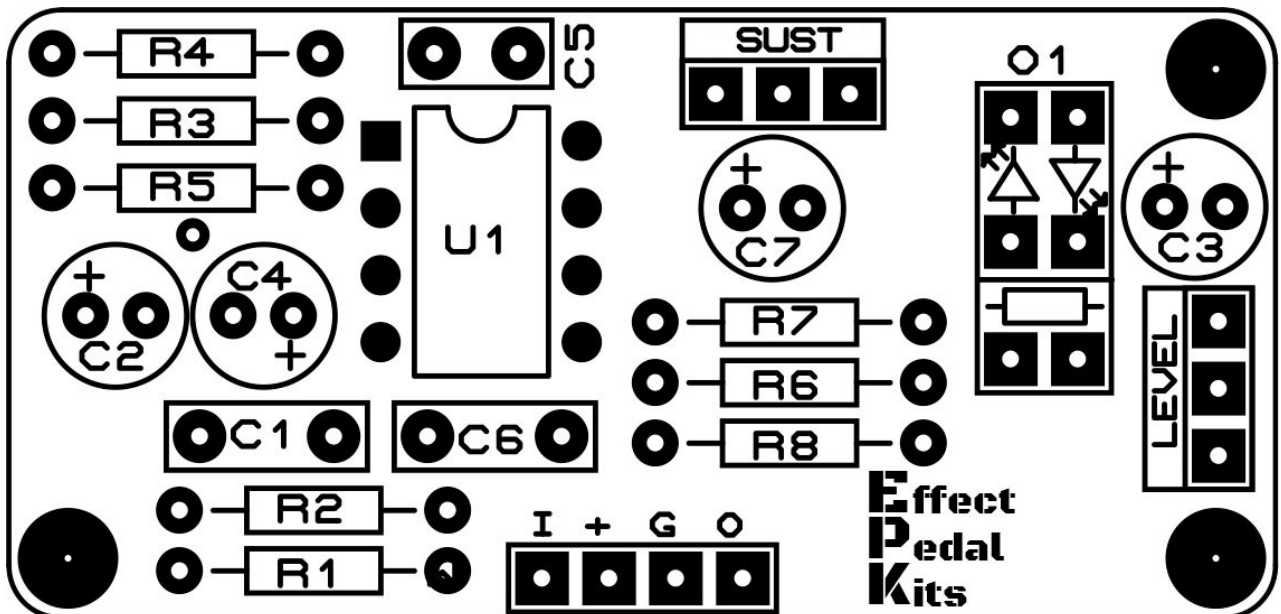


Board Layouts

3PDT PCB



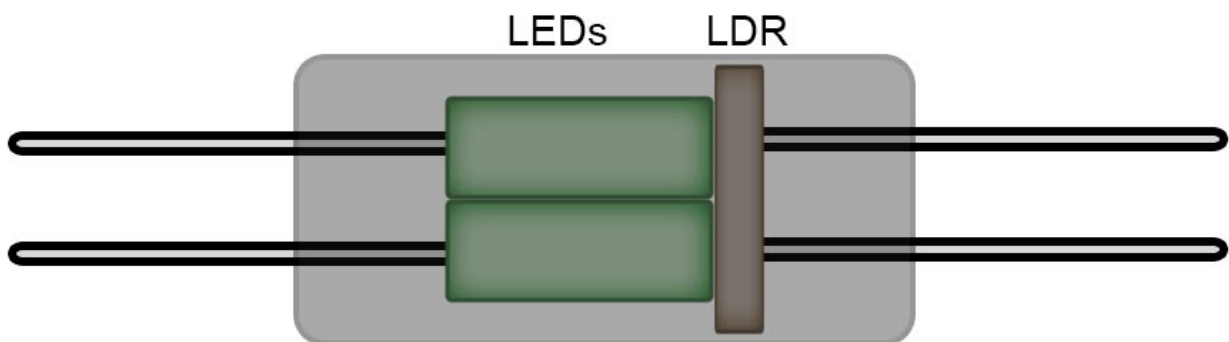
Effect PCB



LDR and Leds

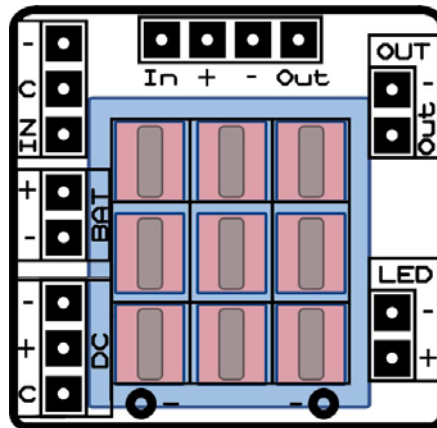
The 2 leds and the LRD should be enclosed together using the thermoretractable included.

Place them facing the LDR, enclose them with the thermoretractable and apply some heat to make it shrink.



Building Tips

- 1- Pay attention to the **orientation of the 3PDT!** In the following picture you can see how the 3PDT pins should be positioned (inserting the pins in the holes can be a bit tight to avoid movement while soldering):



- 2- For a proper soldering you just have to apply the **right amount of solder wire**. A right solder joint should have a concave shape around the joint and look like this:

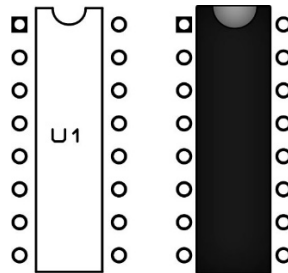


- 3- Don't apply too much heat! When soldering, the time you hold the solder iron against the joint should be **as short as possible** to avoid damaging any part (a few seconds should be enough). If you can't get a solder joint right, **let it cool** a bit before trying again.
- 4- If having troubles with the building, checking the schematic in the last page will help you find **where the audio signal stops**. When you find the spot, check out that **everything around that joint is ok** (components placed at their right place, solder joints...).

Building Tips

5- Pay attention to the **parts that have a polarity** and make sure they are connected as in the component placement picture:

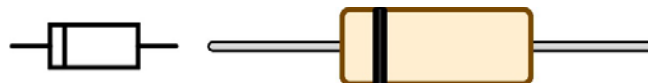
- **ICs** (they have a small dot or indication that must fit the indication in the board)



- **Electrolytic capacitors** (longer pin is connected to the “+” hole):



- **Diodes** (check for the mark and make it fit with the one in the PCB):



- **Leds** (longer pin is connected to the “+” hole)

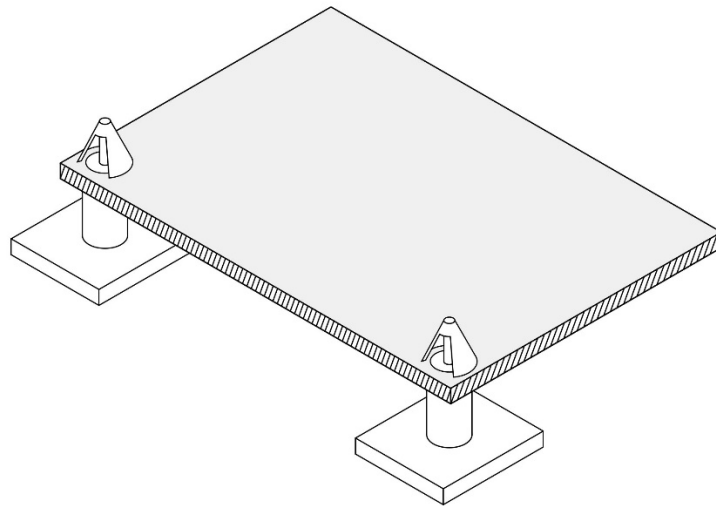


- **Transistors** (inserted to fit the drawing in the PCB)



Building Tips

- 6- With the kit we include plastic PCB supports with an adhesive bottom. You can use them to anchor the PCB to your enclosure for a better stability. Just insert the PCB support tip into the 3.5mm holes and remove the adhesive protective film.



To avoid any issue always check the latest building manual. Use the pictures only as a reference! Colors/shapes of wires, PCB or parts can change slightly, this doesn't affect their functionality in any way.

Always double check part polarity, resistor and capacitor values, potentiometer placement, IC orientation... before soldering.

Schematic

